

# Bellman Visit Portable Receiver BE1033

## Function

The BE1033 Bellman Visit Portable Receiver is a receiver within the Bellman Visit System for indoor use, which attracts the attention of the user by light, sound and also by vibration via a Bellman Bed-shaker BE1270 (accessory). It is activated via radio signals from any transmitter within the Bellman Visit System or via a door with an external trigger.

## Installation & connection

The unit is normally stood on a level surface or mounted on the wall using the wall bracket. It should be placed where it can best be seen and heard.

The unit is connected to the Bellman Visit System by radio. For further information see Settings.

External activation is performed via an external trigger (8). The external trigger can be connected to the BE9023 Magnetic switch (accessory), BE9024 Door entering contact mat (accessory) or other connecting equipment, e.g. a pushbutton. For further information see Technical Information.

## Testing

To test the BE1033 Bellman Visit Portable Receiver's radio receiver, the transmitter in the Bellman Visit System must be set to the same channel as the portable receiver.

- Press the transmitter test button.

The Bellman Visit Portable Receiver will give the following indications:

- The green LED (2) will light
- The LED on the front (3) will blink (if the light signal switch (7) is switched on)
- A sound signal will be emitted depending on the type of transmitter
- The BE1270 Bellman Bed-shaker (accessory) will vibrate if connected
- The BE1033 is activated in the same way as above with a short press of the test button.
- When activated via an external trigger, see Technical Information, the BE1033 will respond in the same way as above.



## Technical information

### Power supply

**Mains power:** 6 V DC/800 mA with power supply unit BE9018 (Europe) BE9083 (United Kingdom).

**Battery power:** 4 x 1.5 V LR14 (C) Alkaline.

**Operating time:** Alkaline: Approximately 1 year

**Power consumption:** Active: 350 mA  
Idle position: 430 µA

### Radio function

**Radio frequency:** 433.92 MHz

**Number of channels:** 64 logical channels

**Coverage:** The normal coverage between a transmitter and receiver in the Bellman Visit System is approximately 80 metres with a clear line of sight. Coverage is reduced if walls and large objects screen off the signal. Any thick walls constructed of reinforced concrete will greatly affect coverage.

### Activation via

**Radio:** Bellman Visit System

**External trigger:** Screw connection box (8) on rear, see diagram.

### Output signals

**Built-in sound signal:** 90 dBA maximum at 1 metre with a main frequency range of 500 – 1000 Hz.

**Vibrator power:** 2.0 – 4.0 VDC

### Additional information

For indoor use only

**Dimensions WxHxD:** 130 x 165 x 36 mm

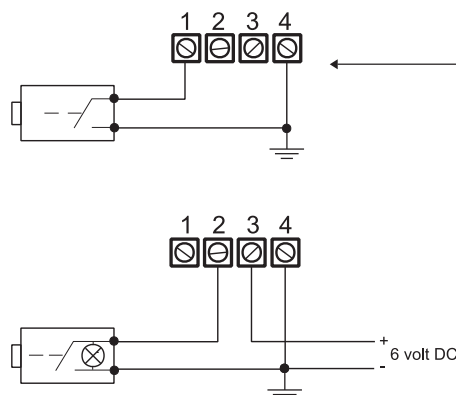
**Weight:** With battery: 600 g  
Without battery: 330 g

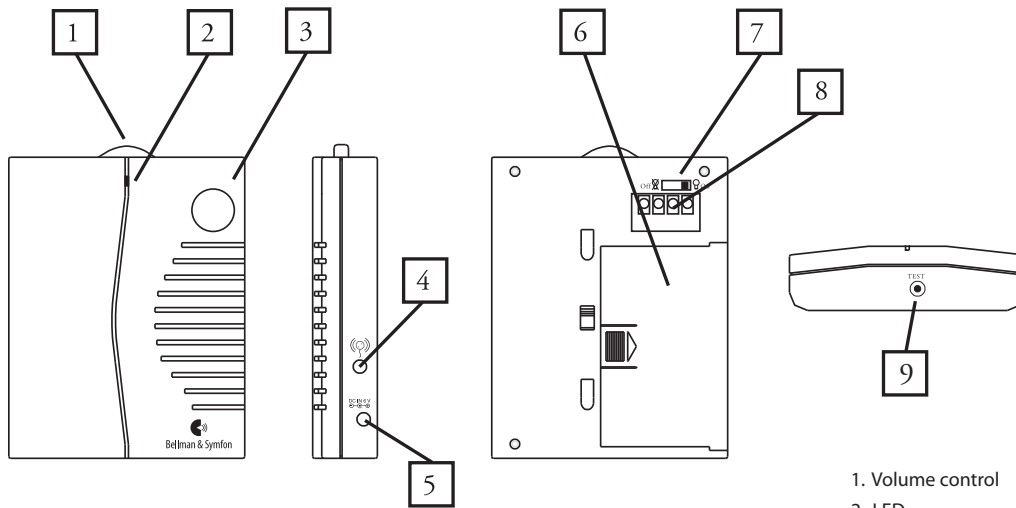
**Colour:** White with red volume control

### Accessories

Bellman Bed-shaker BE1270

Power supply unit BE9018 (Europe) or BE9083 (United Kingdom).





1. Volume control
2. LED
3. Sound signal diode
4. Vibrator output
5. Connection for power supply unit
6. Battery cover
7. Light signal switch
8. External trigger
9. Test button

## Adjustments

### Bellman Visit functions

Green LED (2) indicates activation.

When the green (2) and red (2) LEDs blink alternately, the Bellman Visit Portable Receiver is in the channel programming position and is waiting for a signal from a transmitter in the Bellman Visit System.

### Power supply

When the green LED (2) lights during activation, the apparatus is functioning correctly.

When the red LED (2) blinks, the batteries need to be changed.

## Signals

The transmitter is the unit within the Visit System that determines how the receivers will indicate an alarm. See transmitter descriptions for further information.

### Sound

The Bellman Visit Portable Receiver sounds an alarm. The sound volume can be adjusted between 0 and 90dBA maximum at 1 metre by using the volume control (1). The main frequency range is 500 – 1000 Hz. See below for further information on the respective Bellman Visit transmitters.

### Light

When activated the red LEDs (3) will blink. The LEDs will blink in various different ways depending on which transmitter activates the receiver.

### Vibration

The Bellman Visit Portable Receiver can power a BE1270 Bellman Bed-shaker (accessory).

See transmitter description for information about vibration patterns.

## Settings

### Changing the radio channel

All Bellman Visit System units are supplied from the factory tuned to the same channel, channel 0. This means that all radio channel switches on the transmitter are set to the 'off' position.

- To change the channel, set a Bellman Visit transmitter to the desired channel position.
- Hold down the test button on the Bellman Visit Portable Receiver until the green (2) and red (2) LEDs blink alternately. The Bellman Visit Portable Receiver will now remain in the programming position for up to 30 seconds.
- Press the Bellman Visit Transmitter test button.
- The LED (2) will now light up green and red simultaneously to indicate a successful channel change.



### Please note:

All Bellman Visit products within the same system must be tuned to the same channel in order to operate as a group. The only exception is the Bellman Visit Fire Alarm Transmitter, which does not have adjustable channels. As a safety precaution, the Visit System receiver will sound when a fire alarm signal is detected, regardless of the channel to which the receiver has been programmed.

## Functions

Turn dial (1)	Regulates sound volume between 0 and 90 dBA maximum at one metre with a main frequency range of 500 – 1000 Hz.
Switch (7)	Light indicator Off/On

## Troubleshooting

Problem	Solution
The receiver does not receive signals from the door or Telephone transmitters.	<p>Press the receiver test button for a short while. The test light will then light up green and the receiver will emit a light and sound signal.</p> <p>The batteries in the receiver need to be changed if either the red light comes on in the test lamp, or if no lights illuminate at all.</p> <p>Check that the receiver is not placed too far away by moving the receiver closer to the transmitter.</p>
The receiver emits a signal even though neither the door nor telephone is ringing.	Change the radio channel on all Visit System receivers and transmitters.
The receiver emits a sound but no light signal.	Check that switch (7) for the light signal on/off is set to the 'on' position.