

Bellman Visit Baby-cry transmitter BE1290



Function

The BE1290 Bellman Visit Baby-cry transmitter is a transmitter within the Bellman Visit System for indoor use, which recognises the sound from a crying baby. It is activated by the built-in microphone, which then transmits the sound via radio to the receivers within the Visit System.

Installation & connection

The Bellman Visit Baby-cry transmitter is usually placed vertically on a level surface using the accompanying table support or mounted on the wall using the enclosed screw and the wall bracket on the back of the unit.

A suitable distance from the child is 0.5 - 2 m, but not close enough for the child to reach the Baby-cry transmitter.

The unit is connected to the Bellman Visit System by radio. For further information see Settings below.

The unit is activated via the built-in microphone (2) whenever the child makes a sound.

Testing

A Visit receiver must be tuned to the same channel as the Baby-cry transmitter to test the Bellman Visit Baby-cry transmitter.

- Press the test button (3)
- The receiver will indicate an alarm from the Bellman Visit Baby-cry transmitter or indicate in a different manner if the unit is a specially modified 'Second Baby' transmitter.

Test the microphone by:

- A high-pitched whistle or speech.
- The Bellman Visit Baby-cry transmitter will sound an alarm after the approximate time set by the switches (7) has elapsed. For further information see Settings below.

Technical information

Power supply

Battery: 2 x LR14 (Alkaline).

Operating time: Approximately 1 year

Power consumption: Active: 25 mA
Idle position: 350 μ A

Radio function

Radio frequency: 433.92 MHz

Number of channels: 64 logical channels

Coverage: The normal coverage between a transmitter and receiver in the Bellman Visit System is approximately 80 metres with a clear line of sight. Coverage is reduced if walls and large objects screen off the signal. Any thick walls constructed of reinforced concrete will greatly affect coverage.

Activation via

The built-in microphone
Test button

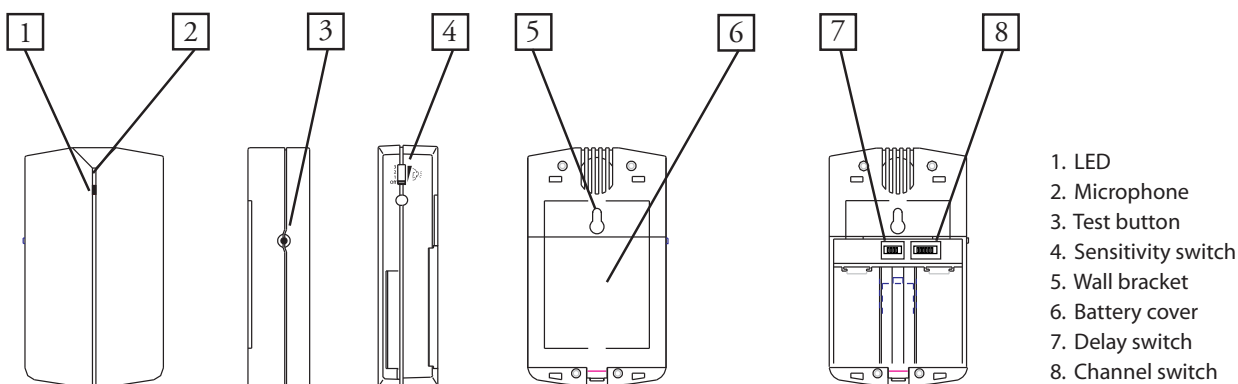
Additional information

For indoor use only

Dimensions WxHxD: 80 x 145 x 36 mm

Weight: With battery: 310 g
Without battery: 175 g

Colour: White with red triangle



Indicators

Visit functions

When the green LED (1) lights, the unit is transmitting a radio signal.

Power supply

When the green LED (1) blinks in short flashes, the unit is switched on and the batteries are OK.

When LED (1) blinks green and red simultaneously, the unit is switched on but the batteries are flat and need to be changed.

Settings

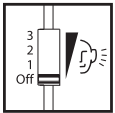

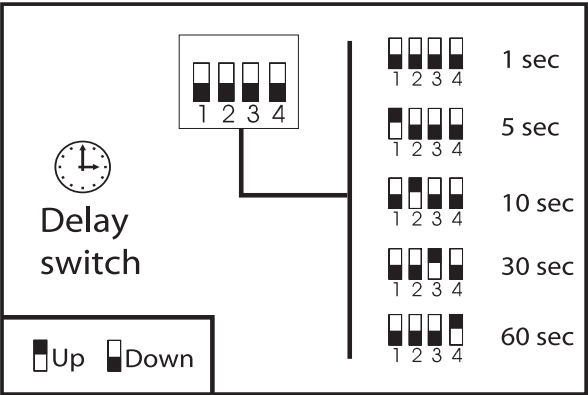
Changing the radio channel

All Bellman Visit System units are supplied from the factory tuned to the same channel, channel 0. This means that all radio channel switches on the transmitter are set to the 'off' position.

- To change the channel, set the channel switches (8) to the desired position.

⚠ Please note: All Bellman Visit products within the same system must be tuned to the same channel in order to operate as a group. The only exception is the Bellman Visit Fire Alarm Transmitter, which does not have adjustable channels. As a safety precaution, the Visit System receiver will sound when a fire alarm signal is detected, regardless of the channel to which the receiver has been programmed.

Functions

<p>Switch (4)</p> 	<p>Adjusts sound sensitivity to three set levels.</p> <p>3 = On, High sensitivity 2 = On, Normal sensitivity 1 = On, Low sensitivity 0 = Off</p>
<p>Switch (7)</p> 	<p>Adjusts the length of time for which the child needs to cry before the Bellman Visit Baby Alarm responds.</p> 

Indication and signal from receiver when activated.

Sound	LED	Vibration
Baby Cry	Orange	Long

Troubleshooting

Problem	Solution
The indicator light blinks yellow or not at all when the unit is switched on.	Change the batteries in the Baby-cry transmitter.
The indicator light is green but the Bellman receiver does not answer.	<ol style="list-style-type: none"> 1. Check that the Baby-cry transmitter and the receiver are tuned to the same channel. 2. Check the batteries in the receiver. 3. Check that the receiver is positioned correctly by moving it closer to the Baby-cry transmitter.
The Baby-cry transmitter does not signal even though the child is crying.	Increase the sensitivity (4) or place the Baby-cry transmitter closer to the child, but not close enough for the child to reach the Baby-cry transmitter.
The Baby-cry transmitter transmits a signal although the child is not making much noise.	Reduce the sensitivity (4) or move the Baby-cry transmitter away from the child.
The child cries for a long time before the Baby-cry transmitter transmits a signal to the receiver.	Reduce the delay time (7). For further information see Functions above.
The Baby-cry transmitter transmits a signal even though the baby only cries for a short time.	Increase the delay time (7). For further information see Functions above.